

supports
**IFS/
HACCP**

Tray cleaning machine

BRM DELUXE

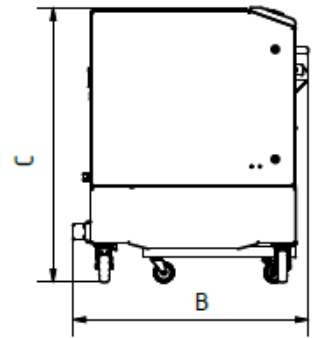
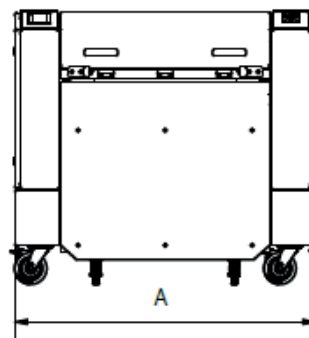
Cleaning and oiling trays in one step

The BRM Deluxe

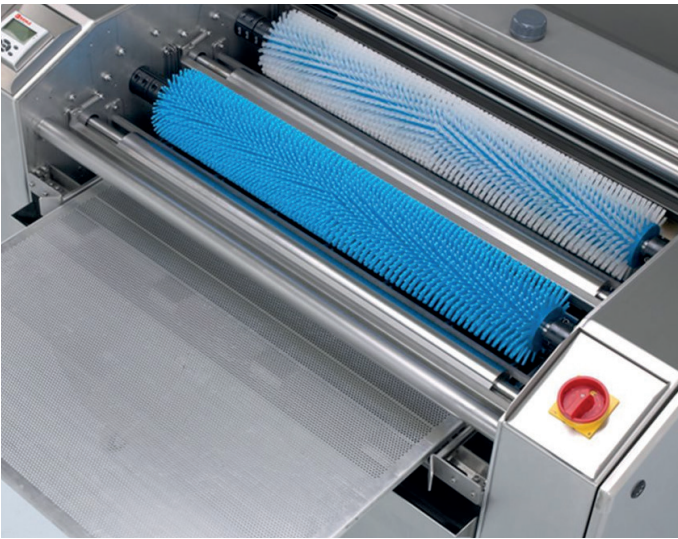
- quick, effective and hygienic

The BRM Deluxe tray cleaning machine guarantees not only fast, but also hygienically perfect cleaning and oiling of baking and perforated trays.

The BRM Deluxe focusses on an extremely robust design that enables efficient and time-saving cleaning of these trays.

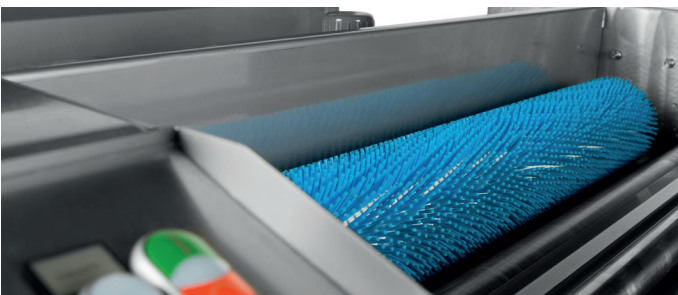


TECHNICAL DETAILS	SIZE 58	SIZE 78	SIZE 98
Width (A)	1.140 mm	1.340 mm	1.540 mm
Depth (B)	910 mm	910 mm	910 mm
Height (C) Machine with input height 84 cm	1.080 mm	1.080 mm	1.080 mm
Height (C) Low version	850 mm	850 mm	850 mm
For tray width	580 mm	780 mm	980 mm
Power	1,5 kW	1,5 kW	1,5 kW
Connection	CEE 400V 16 A	CEE 400V 16 A	CEE 400V 16 A
Weight	approx. 440 kg	approx. 530 kg	approx. 620 kg
Oil tank	approx. 11 litres	approx. 11 litres	approx. 11 litres



USAGE

The tray is fed into the infeed with the baking side facing downwards, where it is gripped by infeed rollers and transported over two rotating, height-adjustable brushes that clean both sides of the tray.



BENEFITS

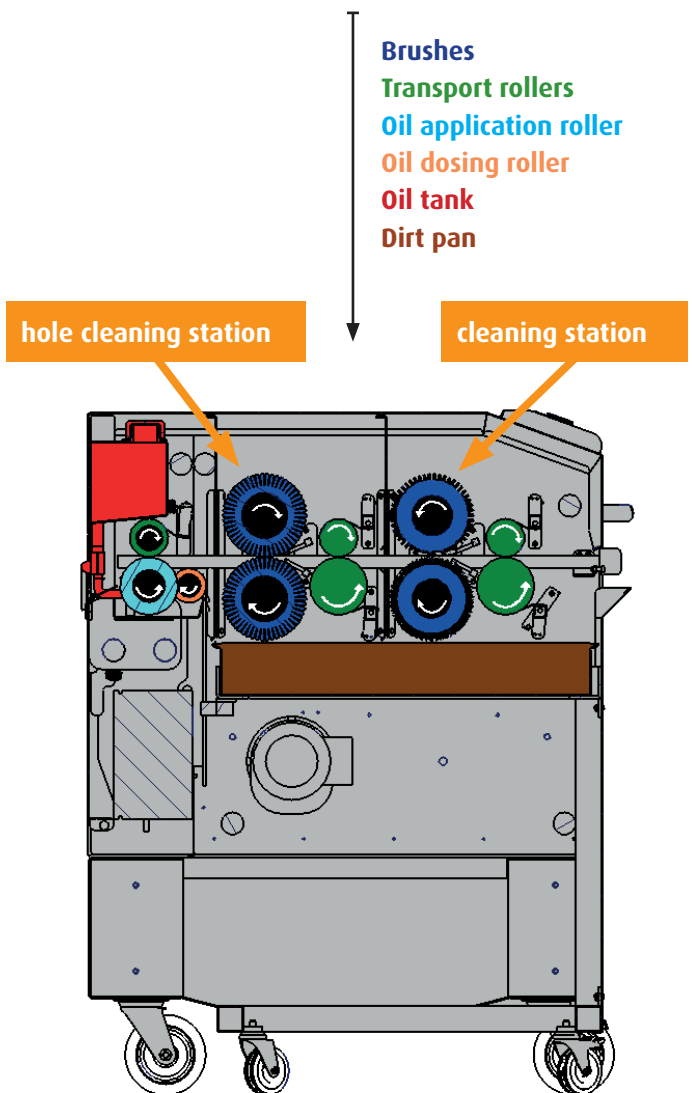
- computer control with various cleaning programmes
- two cleaning stations for best cleaning results
- spring-loaded rollers to avoid rolled-out trays
- simple and precise readjustment of all brushes
- maintenance-free, extremely quiet toothed belt drive

ACCESSORIES

- deposit trolley for removing the cleaned trays
- maintenance contract

ADVANTAGES OF THE BRM DELUXE

- cleans all standard double-sided baking and perforated trays with a width of 58 cm, 78 cm or 98 cm
- only one operator required
- robust stainless steel construction
- cleans up to 700 trays per hour
- simple and precise readjustment of all brushes (including the lower brushes) for permanently optimised cleaning
- quick coupling on all brushes
- convenient opening of the lid for maintenance and cleaning cleaning
- extendable dirt drawer
- economical rubber roller lubrication
- maintenance-free, extremely quiet toothed belt drive
- easy to clean





Riehle

think process!

WP LEBENSMITTELTECHNIK RIEHLE GMBH

Heinrich-Rieger-Str. 5 | D-73430 Aalen (Germany) | phone: +49 7361 5580-0 | fax +49 7361 5580-2281
info@riehle.de | www.wp-riehle.de