

*think process!*

**WP** Haton



# PARTA U DIREKT

Dough Divider

**WP** BAKERYGROUP

*think process!*

# PARTA U DIREKT

Picture Parta U Direkt

IDEAL FOR DIVIDING RYE DOUGH AND BATTER DOUGHS WITH WATER ABSORPTION RATES BETWEEN 175 AND 190. DIRECT DEPOSITING OF DOUGH INTO THE TINS OR DIRECTLY ON THE DISCHARGE CONVEYOR FOR REGULAR DOUGHS.



## BENEFITS

- Dough friendly and high weight accuracy
- Processing of very soft dough types and regular doughs
- Suction level adjustable
- Wear-resistant dividing mechanism with Ni-Resist dividing unit
- Robust and reliable construction
- Hopper content 245 litre
- Hinged hopper for easy cleaning
- Discharge conveyor for pans and or dough
- Self-cleaning knife
- Round infeed opening of division box
- Easy accessibility for cleaning and maintenance

## BASIC EXECUTION:

- 2 pocket machine (50 mm partitions)
- Dividing unit Ni-Resist, with automatic oiling on unit, with 6 fixed dosing valves
- Hinged hopper stainless steel 245 litre, inside Teflon coated
- Operation : Siemens PLC with on / off / emergency stop / weight indication / position stop for easy cleaning / Servo-weight adjustment
- Frequency inverter for variable speed
- Main piston, dividing chamber and hopper base wear-resistant chrome-nickel alloy
- Hopper base with Teflon coating
- Measuring pistons Ni-Resist
- Knife made of stainless steel, hardened
- Cover plates stainless steel, brushed, with Schmersal safety switches
- Frame nickel plated
- Crankshaft and drive rods cast iron, nickel plated
- Undercarriage 2 rigid + 2 swivel castors with fastening pins
- Analog weight indication
- Moveable panner-track L=3000 mm with stainless steel undercarriage, 4 plastic swivel castors
- Adjustable side guides, pneumatic side stopper, fixed drive
- Plastic panner-chain, W=190 mm
- 2 Photocells for tin signalisation, positioning and counting
- Stainless steel perforated covers for visual control
- Release signal for the stopper of the panner-track
- Mechanical and electrical locking of the panner-track

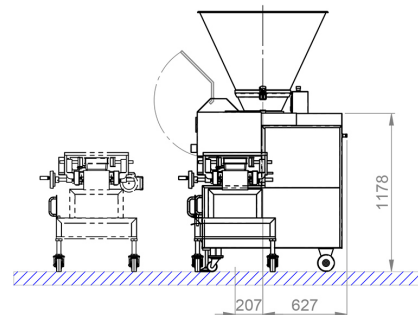
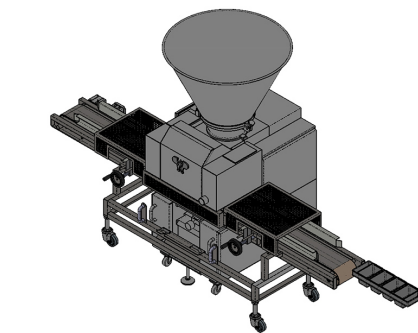
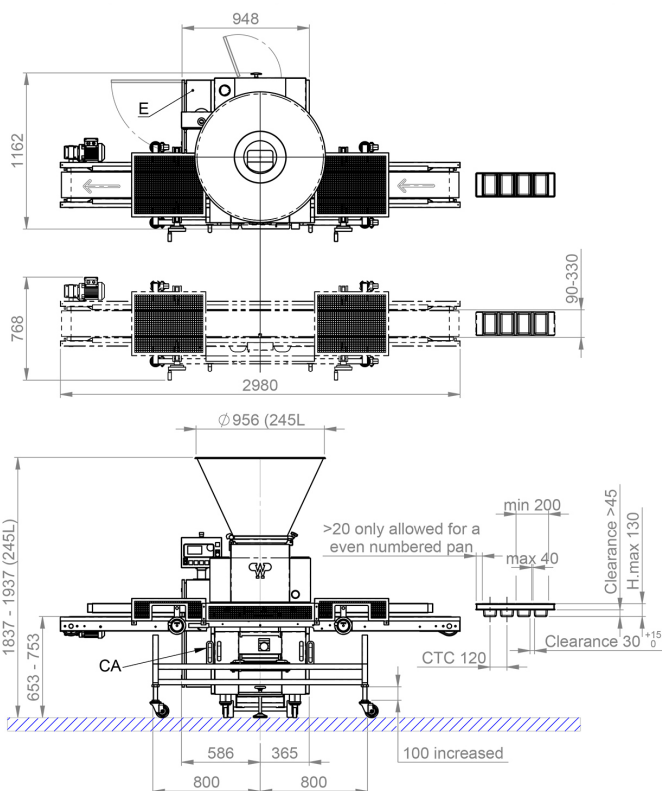


Illustration Parta U Direkt

## PARTA U DIREKT

TYPE		WEIGHT RANGE		CAPACITY
2002		110 - 1000 gr (in 50 mm partitions)		900 - 2816 pcs/h.

DIMENSIONS		WEIGHT		CONNECTED LOAD
Length	2990 mm	net	620 kg	230/400 V, 3 phase, 50 Hz + earth
Width	1250 mm	gross	820 kg	2,8 KVA
Height	1940 mm	Shipping volume 1,6 m <sup>3</sup>		Pneumatic connection required

### OPTIONS

- Hopper base Nedox coated
- Oiling on hopper, including oil shortage signalisation
- Oil shortage signalisation
- Siemens touch panel : Pre-set counter
- Mechanical pieces counter
- Siemens touch panel : Recipe control (only in combination with servo weight adjustment and/ or frequency inverter)
- Siemens touch panel : Frequency inverter for variable speed
- Movable conveyor, inner and outer discharge belt (exchangeable for the panner-track)
- Discharge roller with scraper (dough weights < 200 gr)
- Customer specific Blue Box

#### WP HATON BV

Industrieterrein 13 // 5981 NK Panningen // Netherlands // Phone +31 77307-1860 // Fax +31 77307-5148 // info@wp-haton.com // www.wp-haton.com