

think process!

WP Haton



OCS
Checkweigher

WP BAKERYGROUP

think process!

OCS

Picture OCS Checkweigher

WEIGHS EACH DOUGH PIECE VERY ACCURATELY ON A SCALING CONVEYOR AND MEASURES WITH ITS STATISTIC PROGRAM THE DEVIATION FROM THE GIVEN EXACT WEIGHT. A TREND PROGRAM MONITORS / CORRECTS THE WP HATON DIVIDER CONSTANTLY; THE WEIGHT RANGE OF THE VOLUMETRIC DIVIDER STAYS WITHIN A GIVEN RANGE. PRODUCTS WEIGHED HIGHER OR LOWER WILL BE EJECTED WITH A HIGH-SPEED POWER AIR BLAST EJECTING DEVICE.



BENEFITS

- Settings on divider independent of operating people
- Higher weight accuracy leading to less loss of dough
- Statistic information available on production process
- Possibility to eliminate over- and underweight by means of air blast ejector

BASIC EXECUTION:

- Infeed conveyor L=500 mm
- Weighing conveyor for weighing and counting of dough pieces
- Standard working height 850 – 1085 mm
- Discharge conveyor L=700 mm
- All conveyors with quick belt release systems
- Pre-programming of 100 different products:
 - classification limits, - ejection parameters,
 - nominal weight, - trend regulation parameters,
 - sampling range, - sampling interval
- Display of actual and set weights
- Correction / adjustments of divider (trend regulation program)
- Automatic tare after every dough piece
- Registration of statistical information:
 - counted dough pieces, - required weight, - actual weights,
 - weight deviations, - standard deviations, - average weight
- Complete weighing conveyor easily removable for cleaning
- Housing and frame stainless steel
- Stainless steel terminal with TFT Touch Screen and separate keys for start, stop and reset functions
- Additional Compact Flash card with software back-up
- High performance Servo drive motor with stainless steel housing
- Hinged cover over weighing conveyor
- Ethernet interface

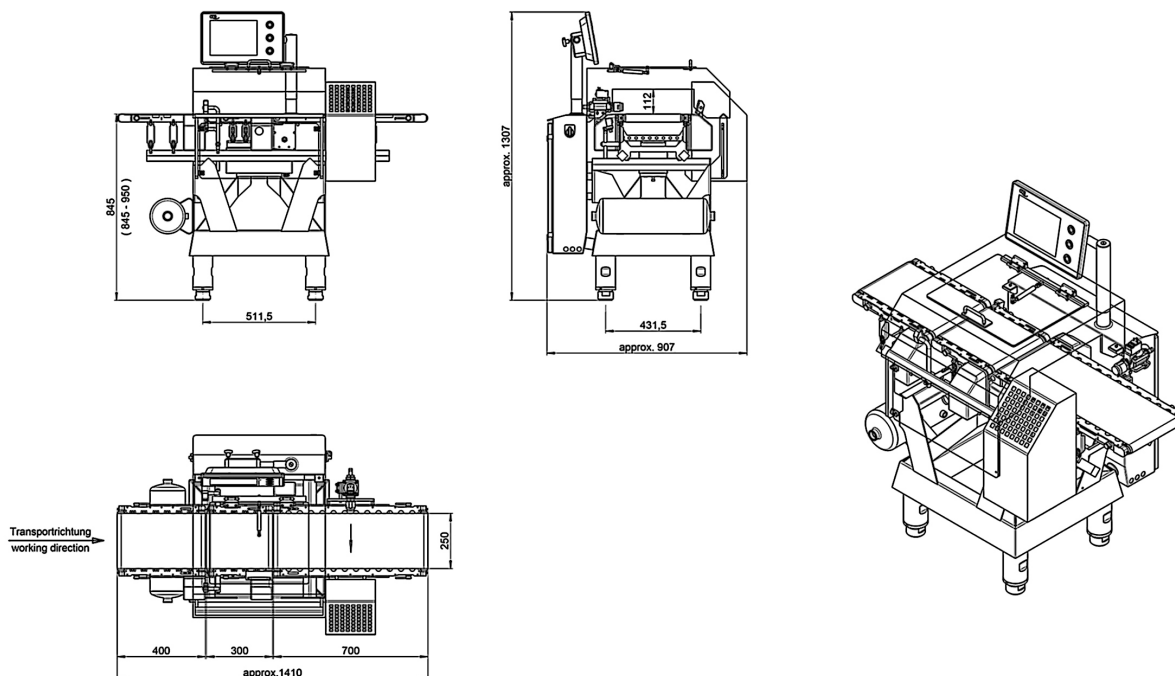


Illustration OCS Checkweigher

OCS

TYPE	WEIGHT RANGE	CAPACITY
HC-M-WD	max. 1600 gr	up to 9000 pcs/h. depending on size of dough piece

DIMENSIONS	WEIGHT	CONNECTED LOAD
Length 1410 mm	net 303 kg	230 VAC approx. 0,8 kVA
Width 910 mm	gross 383 kg	Compress air 6 bar approx. 10 NL/min.
Height 1310 mm		

Sizes / measurements depending on final lay out and conveyor figuration.

OPTIONS

- High speed power air blast ejecting device mounted on out-feed conveyor
- Reversible rejection conveyor system (for higher dough weights)
- Extra Flash Card
- APS statistics package with USB stick
- Infeed conveyor L=700 mm (instead of 500 mm)
- Discharge conveyor L=900 mm (instead of 700 mm) including support
- Special discharge height conveyors 1086 < 1250 mm including lower adjusted display
- Special discharge height conveyors 1251 < 1500 mm including lower adjusted display
- Customer specific Blue Box

WP HATON BV

Industrieterrein 13 // 5981 NK Panningen // Netherlands // Phone +31 77307-1860 // Fax +31 77307-5148 // info@wp-haton.com // www.wp-haton.com